



Product availability: Stock - Normally stocked in distribution facility

Price\*: 312.00 USD



### Main

Range of Product	Modicon TM5
Product or Component Type	Sercos III communication module
Physical interface	RJ45

### Complementary

Range Compatibility	Modicon LMC078
Product Compatibility	Motion controller
Integrated connection type	Ethernet/IP, 2 RJ45 connectors Sercos RJ45), 100 Mbit/s
Current consumption	350 mA 5 V DC, base
Device composition	Interface module Bus base ordered separately Power supply ordered separately Terminal block ordered separately
Maximum power dissipation in W	1.75 W
Color	White
Local signalling	1 LED green/red STAT 1 LED green/red Sercos III 1 LED green Sercos III port 1 1 LED green Sercos III port 2
Net Weight	0.07 Lb(US) (0.03 kg)

The information provided in this documentation contains general descriptions and/or technical characteristics of the performance of the products contained herein. This documentation is not intended as a substitute for and is not to be used for determining suitability or reliability of these products for specific user applications. It is the duty of any such user or integrator to perform the appropriate and complete risk analysis, evaluation and testing of the products with respect to the relevant specific application or use thereof. Neither Schneider Electric Industries SAS nor any of its affiliates or subsidiaries shall be responsible or liable for misuse of the information contained herein. \*Prices are indicative

## Environment

Resistance to electrostatic discharge	4 KV on contact EN/IEC 61000-4-2 8 KV in air EN/IEC 61000-4-2
Resistance to electromagnetic fields	0.91 V/M (1 V/m) 2...2.7 GHz EN/IEC 61000-4-3 9.14 V/M (10 V/m) 80 MHz...2 GHz EN/IEC 61000-4-3
Resistance to fast transients	1 KV EN/IEC 61000-4-4 I/O) 1 KV EN/IEC 61000-4-4 shielded cable) 2 KV EN/IEC 61000-4-4 power lines)
Surge withstand	0.5 KV differential mode EN/IEC 61000-4-5 1 KV common mode EN/IEC 61000-4-5
Electromagnetic compatibility	EN/IEC 61000-4-6
Disturbance radiated/conducted	CISPR 11

## Ordering and shipping details

Category	18296 - PACDRIVE-3 PRODUCTS
Discount Schedule	PC51
GTIN	03595864109091
Nbr. of units in pkg.	1
Package weight(Lbs)	2.54 Oz (72 g)
Returnability	Yes
Country of origin	AT

## Packing Units

Unit Type of Package 1	PCE
Package 1 Height	1.18 In (3 cm)
Package 1 width	2.36 In (6 cm)
Package 1 Length	4.13 In (10.5 cm)
Unit Type of Package 2	S02
Number of Units in Package 2	50
Package 2 Weight	8.44 Lb(US) (3.83 kg)
Package 2 Height	5.91 In (15 cm)
Package 2 width	11.81 In (30 cm)
Package 2 Length	15.75 In (40 cm)

## Offer Sustainability

Sustainable offer status	Green Premium product
California proposition 65	WARNING: This product can expose you to chemicals including: Lead and lead compounds, which is known to the State of California to cause cancer and birth defects or other reproductive harm. For more information go to <a href="http://www.P65Warnings.ca.gov">www.P65Warnings.ca.gov</a>
REACH Regulation	<a href="#">REACH Declaration</a>
REACH free of SVHC	Yes
EU RoHS Directive	Pro-active compliance (Product out of EU RoHS legal scope) <a href="#">EU RoHS Declaration</a>
Toxic heavy metal free	Yes
Mercury free	Yes
RoHS exemption information	<a href="#">Yes</a>
China RoHS Regulation	<a href="#">China RoHS Declaration</a>
Environmental Disclosure	<a href="#">Product Environmental Profile</a>
Circularity Profile	<a href="#">End Of Life Information</a>
WEEE	The product must be disposed on European Union markets following specific waste collection and never end up in rubbish bins.
PVC free	Yes

## Contractual warranty

---

Warranty	18 months
----------	-----------

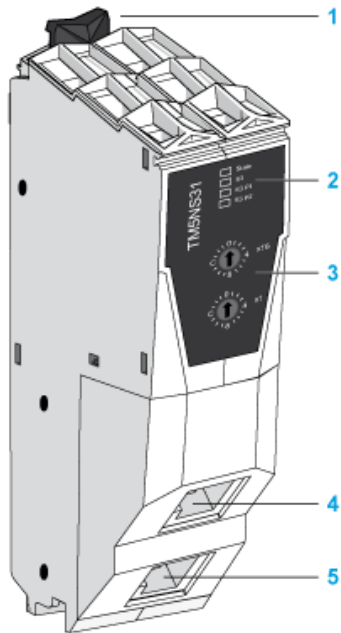
---

---

Presentation

---

Sercos fieldbus interface module



- 1 Locking clip
- 2 Status LEDs
- 3 Sercos III address setting rotary switches
- 4 Sercos III Port 1 connector (RJ45)
- 5 Sercos III Port 2 connector (RJ45)

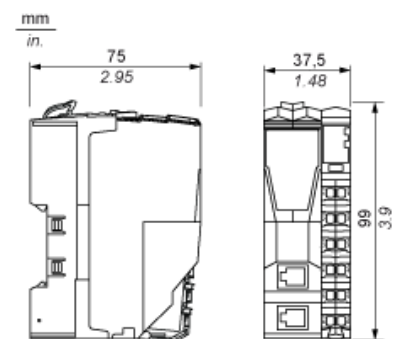
---

Dimensions and Schema

---

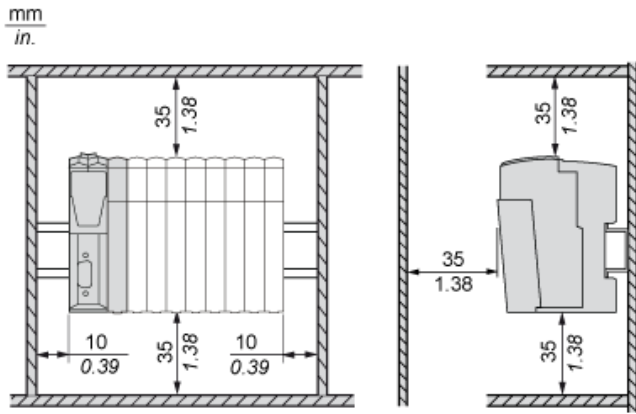
Sercos Fieldbus Interface Module

Dimensions

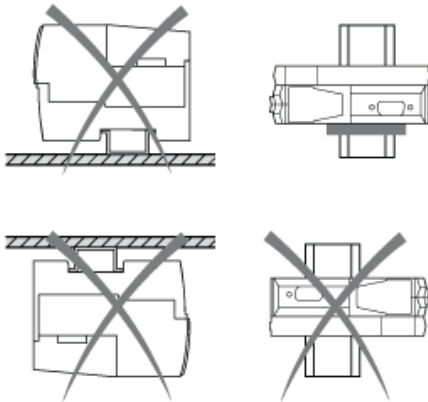


TM5 System

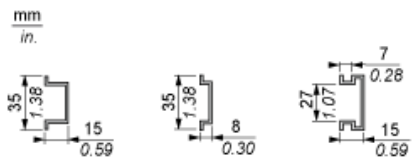
Spacing Requirements



Mounting Position

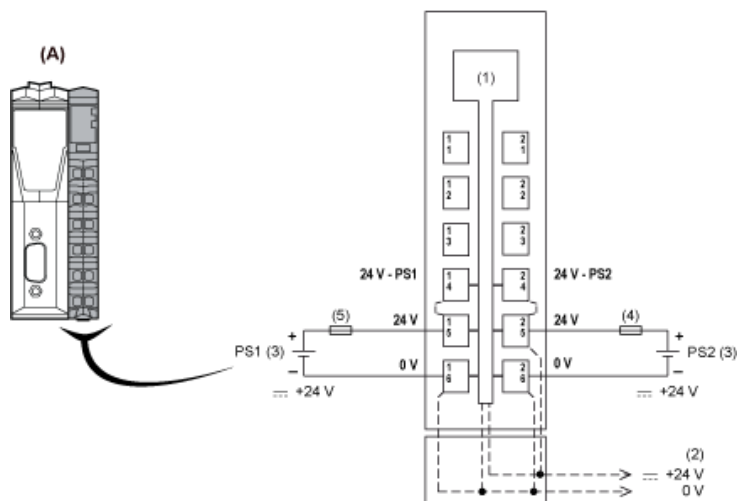


Mounting on a Din Rail



Connections and Schema

Wiring Diagram



- (A) Interface Power Distribution Module (IPDM)
- (1) Internal electronics
- (2) 24 Vdc I/O power segment integrated in the bus bases
- (3) PS1/PS2: External isolated power supply 24 Vdc
- (4) External fuse, Type T slow blow, 10 A max., 250 V
- (5) External fuse, Type T slow blow, 1 A, 250 V

Product Life Status : **Commercialised**